



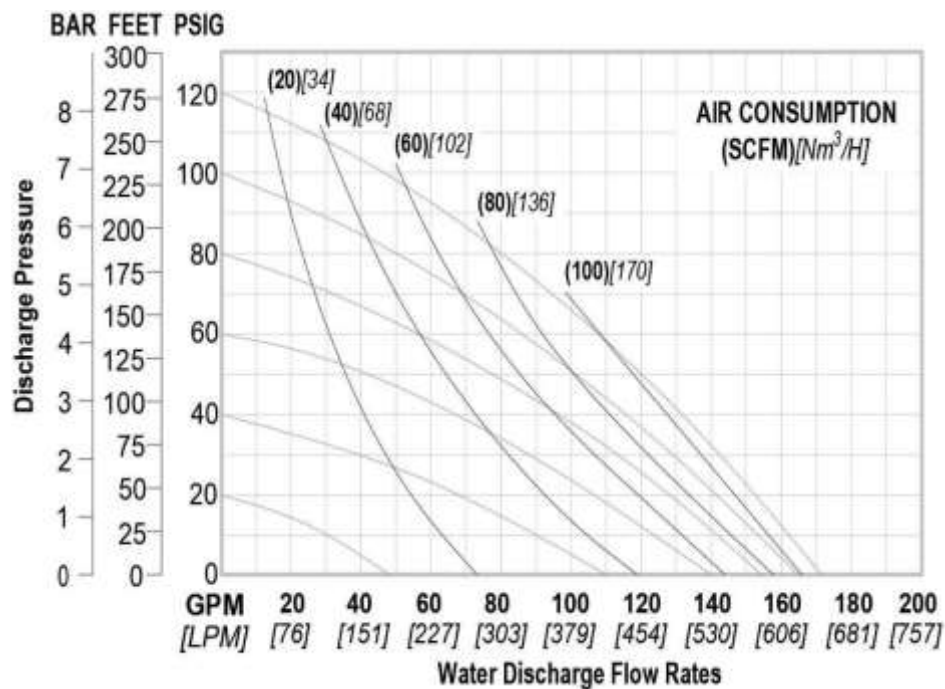
# AIR OPERATED DOUBLE DIAPHRAGM PUMP

## SECTION 1 – NOMENCLATURE

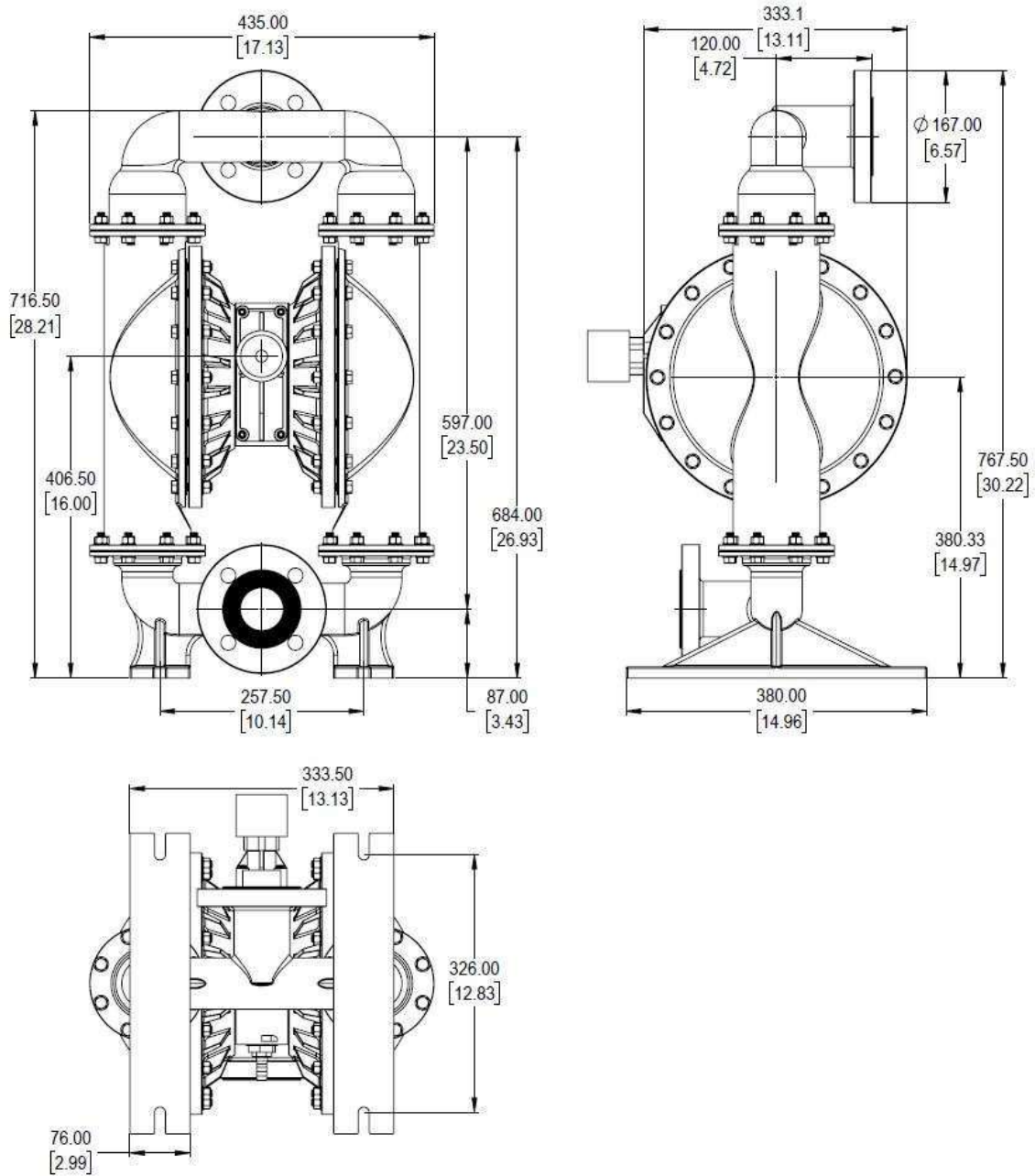
|                                |  |
|--------------------------------|--|
| <b>Max Flow rate</b>           | : 586Lpm   |
| <b>Port Size</b>               | : Inlet : 50.80mm ( 2" BSP)<br>Discharge : 50.80mm ( 2" BSP)<br>Air Inlet : 1/2" BSP<br>Air Exhaust : 19.05mm (3/4" BSP) |
| <b>Suction Lift</b>            | : Dry : 4.57m (15')<br>Wet : 7.62m (25')   |
| <b>Teflon</b>                  | : Dry : 3.05m (10')<br>Wet : 6.09m (20')   |
| <b>Max Particle Size (Dia)</b> | : 6.35mm (0.250")  |
| <b>Diaphragm</b>               | : Teflon, <u>Santoprene</u> , Buna   |



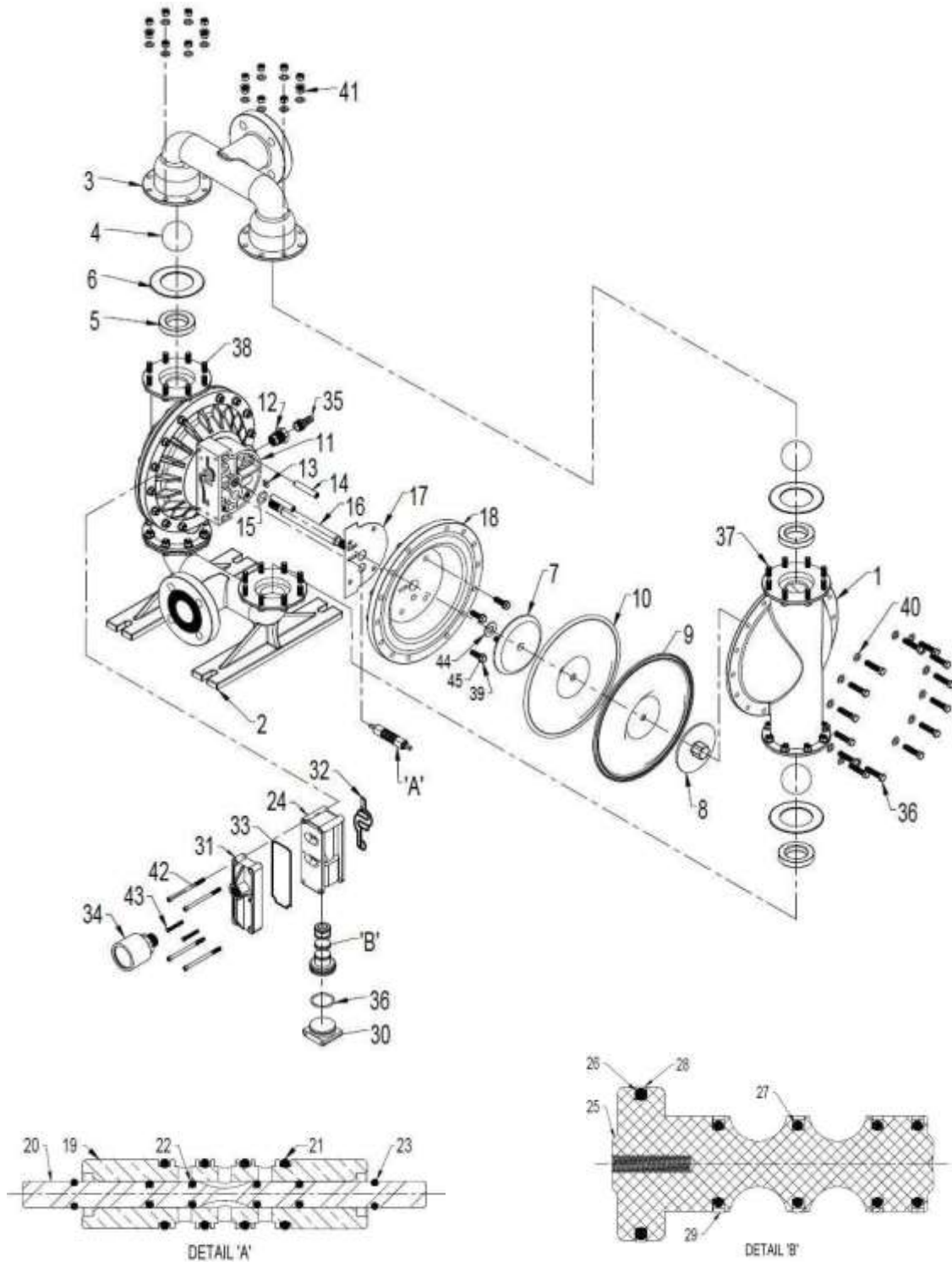
## SECTION 2 – FLOW CURVES



### SECTION 3 – DIMENSIONS DRAWING



### SECTION 4 – PUMP VIEW



## SECTION 5 – SPARE PART LIST

| SR No. | DISCRIPTION             | PART No    | QTY |
|--------|-------------------------|------------|-----|
| 1      | LIQUID CHAMBER          | 50-1001-03 | 2   |
| 2      | SUCTION MANIFOLD        | 50-1021-03 | 1   |
| 3      | DISCHARGE MANIFOLD      | 50-1031-03 | 1   |
| 4      | NRV BALL                | 50-1041-55 | 4   |
| 5      | BALL SEAT               | 50-1075-03 | 4   |
| 6      | SEAT ENVELOP GASKET     | 50-3301-55 | 4   |
| 7      | HOLDING PLATE           | 50-1111-01 | 2   |
| 8      | LOCK NUT                | 50-1131-03 | 2   |
| 9      | DIAPHRAGM               | 50-2001-55 | 2   |
| 10     | BACK UP DIAPHRAGM       | 50-2101-65 | 2   |
| 11     | CENTER BLOCK            | 40-1301-23 | 1   |
| 12     | REDUCER                 | 40-1376-21 | 1   |
| 13     | CENTER BLOCK PATTI      | 40-1319-03 | 4   |
| 14     | CENTER BLOCK            | 40-1318-03 | 4   |
| 15     | CENTER BLOCK O RING     | 40-3155-56 | 4   |
| 16     | MAIN SHAFT              | 50-1342-03 | 1   |
| 17     | AIR COVER GASKET        | 40-3311-51 | 2   |
| 18     | AIR COVER               | 50-1403-01 | 2   |
| 19     | PILOT BUSH              | 40-1471-07 | 1   |
| 20     | PILOT SHAFT             | 40-1451-03 | 1   |
| 21     | PILOT BUSH O RING       | 40-3161-51 | 4   |
| 22     | PILOT SHAFT O RING      | 15-3176-56 | 4   |
| 23     | PILOT SHAFT LOCK O RING | 40-3181-51 | 2   |



| SR NO. | DISCRIPTION                               | PART NO.   | QTY |
|--------|---|------------|-----|
| 24     | PISTON BLOCK                              | 40-1501-20 | 1   |
| 25     | PISTON                                    | 40-1521-69 | 1   |
| 26     | PISTON/CAP O RING BIG                     | 40-3201-51 | 2   |
| 27     | PISTON O RING SMALL                       | 40-3222-51 | 4   |
| 28     | PISTON RING BIG                           | 40-3241-68 | 1   |
| 29     | PISTON RING SMALL                         | 40-3246-68 | 4   |
| 30     | P B CAP                                   | 40-1571-20 | 1   |
| 31     | PISTON BLOCK COVER                        | 40-1561-20 | 1   |
| 32     | P B GASKET                                | 40-3321-51 | 1   |
| 33     | P B COVER GASKET                          | 40-3331-51 | 1   |
| 34     | EXHAUST                                   | 40-1366-23 | 1   |
| 35     | AIR NIPPLE                                | 50-1371-07 | 1   |
| 36     | 3/8" X 1 1/4" HEX BOLTS SS (CHAMBER BOLT) | 04-6018-03 | 28  |
| 37     | 3/8" X 1 1/4" HEX BOLTS SS (SUC/DIS)      | 04-6016-03 | 28  |
| 38     | 3/8" X 3/4" HEX BOLTS SS (SUC/DIS)        | 04-6014-03 | 4   |
| 39     | 3/8" X 1 1/4" HEX BOLTS SS (AIR COVER)    | 04-6016-03 | 8   |
| 40     | 3/8 X 20.7 X 1.5 MM SS WASHER (CHAMBER)   | 04-6210-03 | 120 |
| 41     | 3/8 MS HEX NUT                            | 04-6304-61 | 60  |
| 42     | 1/4" X 4" ALLEN BOLTS MS (P B)            | 04-6005-61 | 4   |
| 43     | P B SCREW MS                              | 04-6321-61 | 2   |
| 44     | 5/8 X 35 X 3 MM MS WASHER (H P)           | 04-6217-61 | 2   |
| 45     | 3/8 X 3 MM SS WASHER (AIR COVER)          | 04-6206-03 | 8   |